

- Band 17, RF-Tx SAW Filter
- Revision 0: May 2014

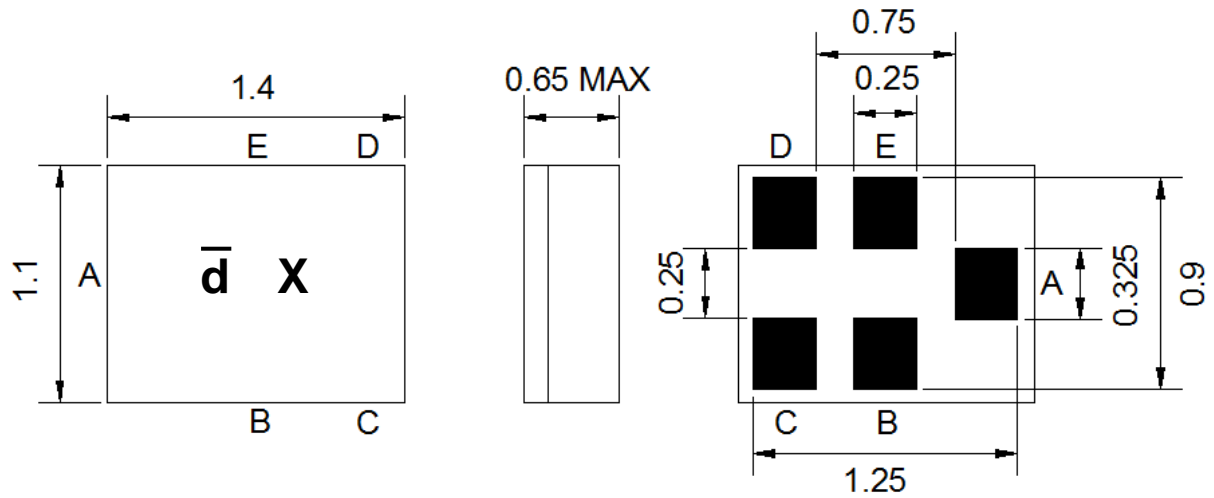
### Electrical Characteristics

MAXIMUM RATING				
PARAMETERS DESCRIPTION	UNIT	MINIMUM	TYPICAL	MAXIMUM
Operating Temperature Range	°C	-30	-	+85
Storage Temperature Range	°C	-40	-	+85
Maximum DC Voltage	V	-	-	0
Maximum Input Power	dBm	-	-	10
Source Impedance (single ended) <sup>(1)</sup>	Ω	-	50	-
Load Impedance (single ended) <sup>(1)</sup>	Ω	-	50	-
Package type & size	C21			
Length x Width	mm <sup>2</sup>	-	1.4 x 1.1	-
Height	mm	-	-	0.65

ELECTRICAL SPECIFICATION				
PARAMETERS DESCRIPTION	UNIT	MINIMUM	TYPICAL	MAXIMUM
Center Frequency (Fo)	MHz	-	710.0	-
Max.Insertion Loss within 704.0 ~ 716.0 MHz	dB	-	2.3	2.8
Amplitude Ripple within 704.0 ~ 716.0 MHz	dB <sub>p-p</sub>	-	1.3	1.8
Attenuation:				
725.0 MHz	dB	15	23	-
734.0 ~ 746.0 MHz	dB	33	36	-
VSWR within 704.0 ~ 716.0 MHz	-	-	1.7	2.0

**Notes:** (1) No Matching Network

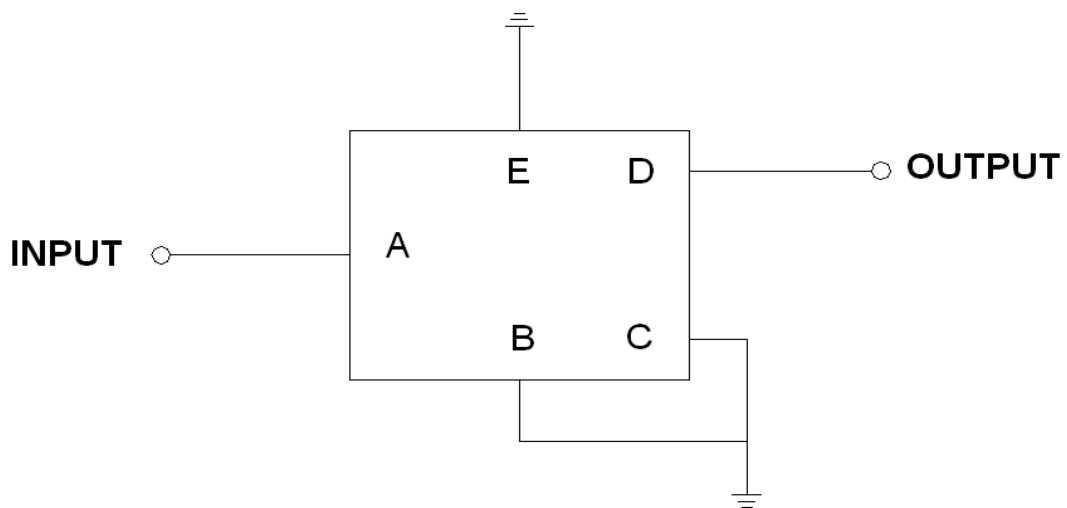
### Package Dimensions



Marking Descriptions	
$\overline{d}$	Series Number
X	Date Code (Year+Month)

Pin Description	
B, C, E	Ground
A	Input
D	Output

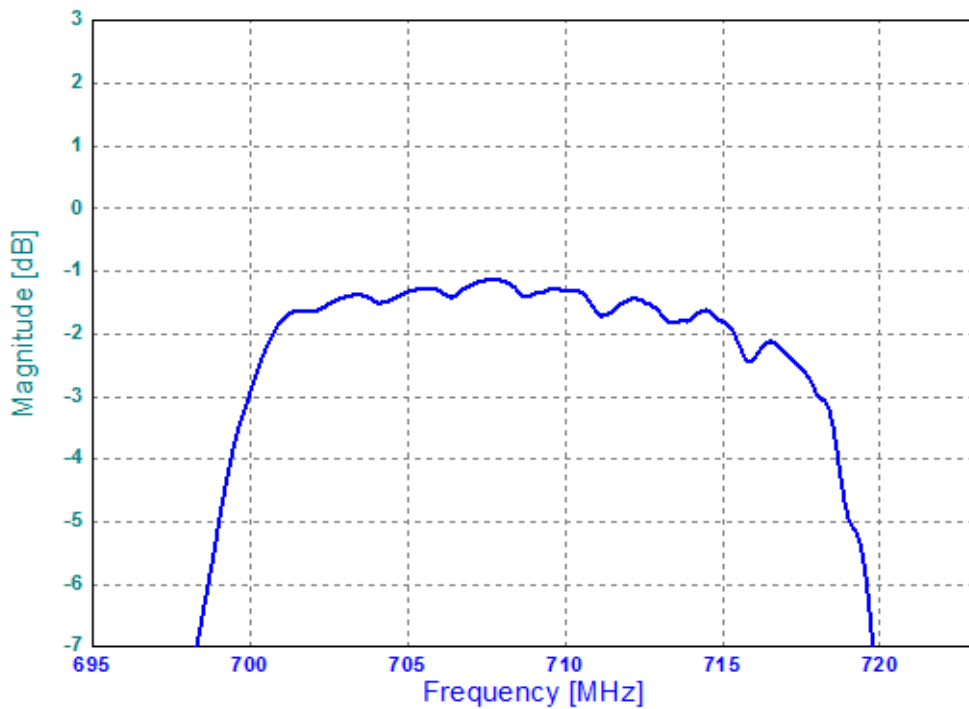
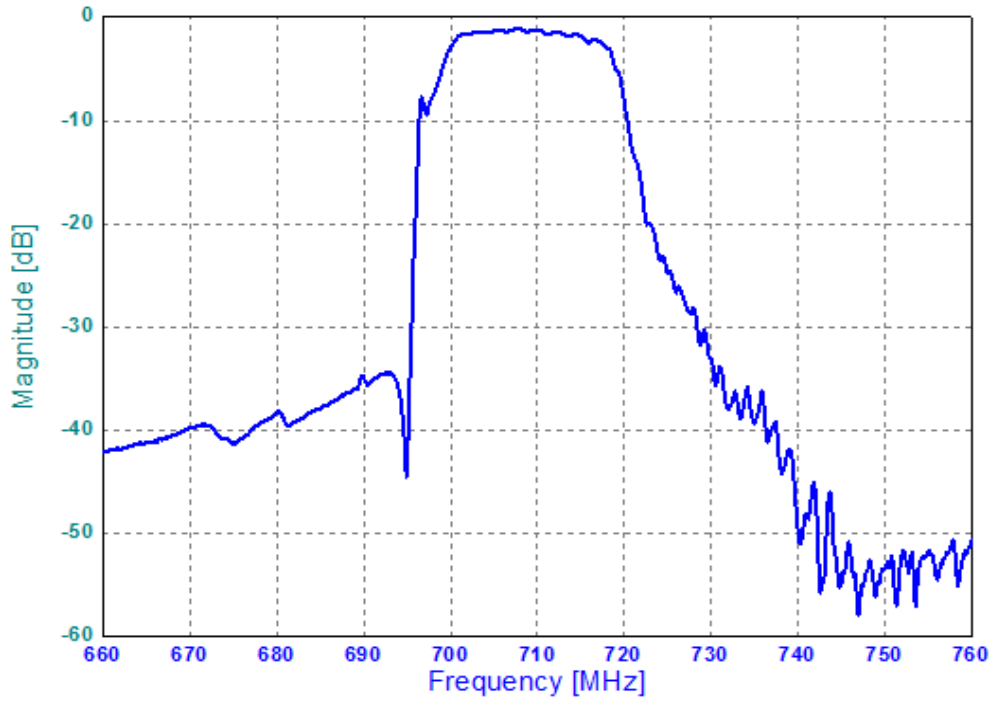
### Testing Environment



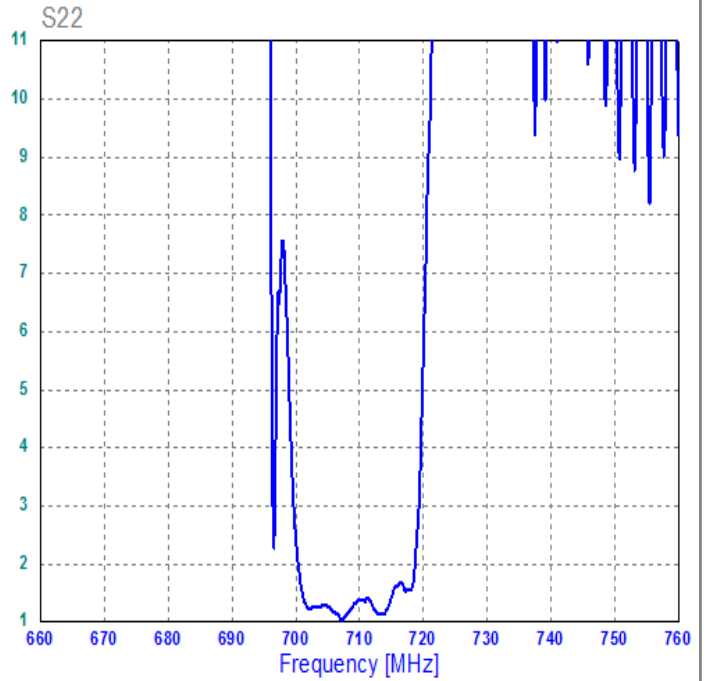
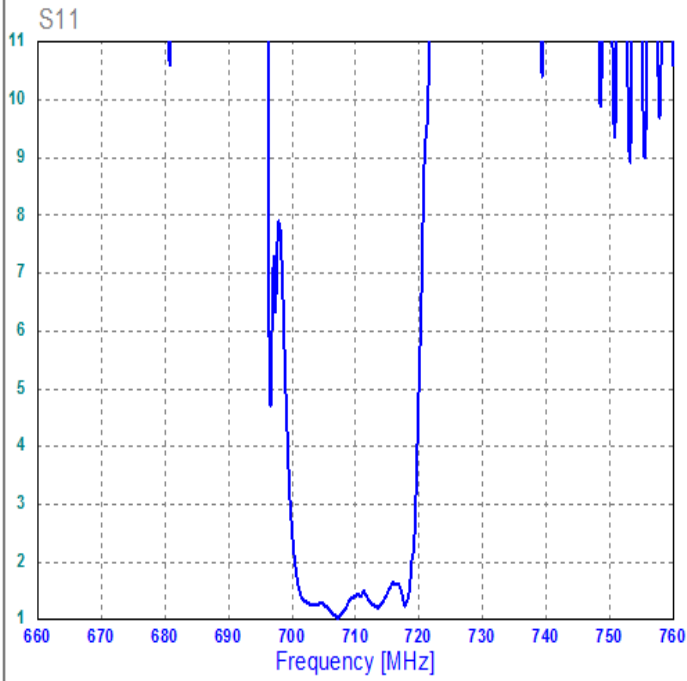
Source & Load Impedance: 50  $\Omega$

**Frequency Characteristics**

**Frequency Response**



**VSWR**



**Smith Chart**

